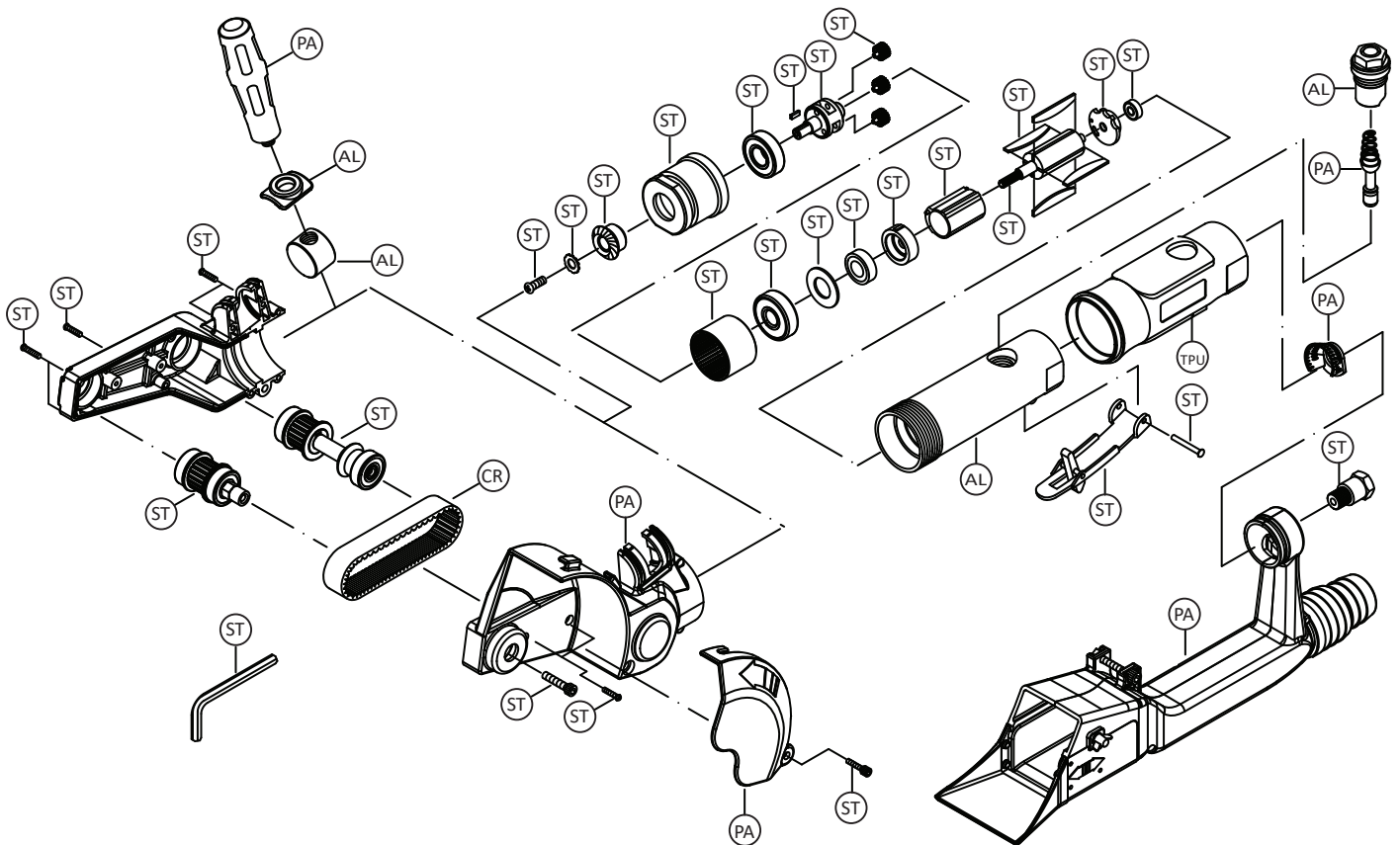


RC7095 Multisander - Decommissioning Instructions



- (AL) Aluminium
- (PA) PA66/PA+TPR/Nylon
- (ST) Steel
- (TPU) Thermoplastic Polyurethane
- (CR) CR